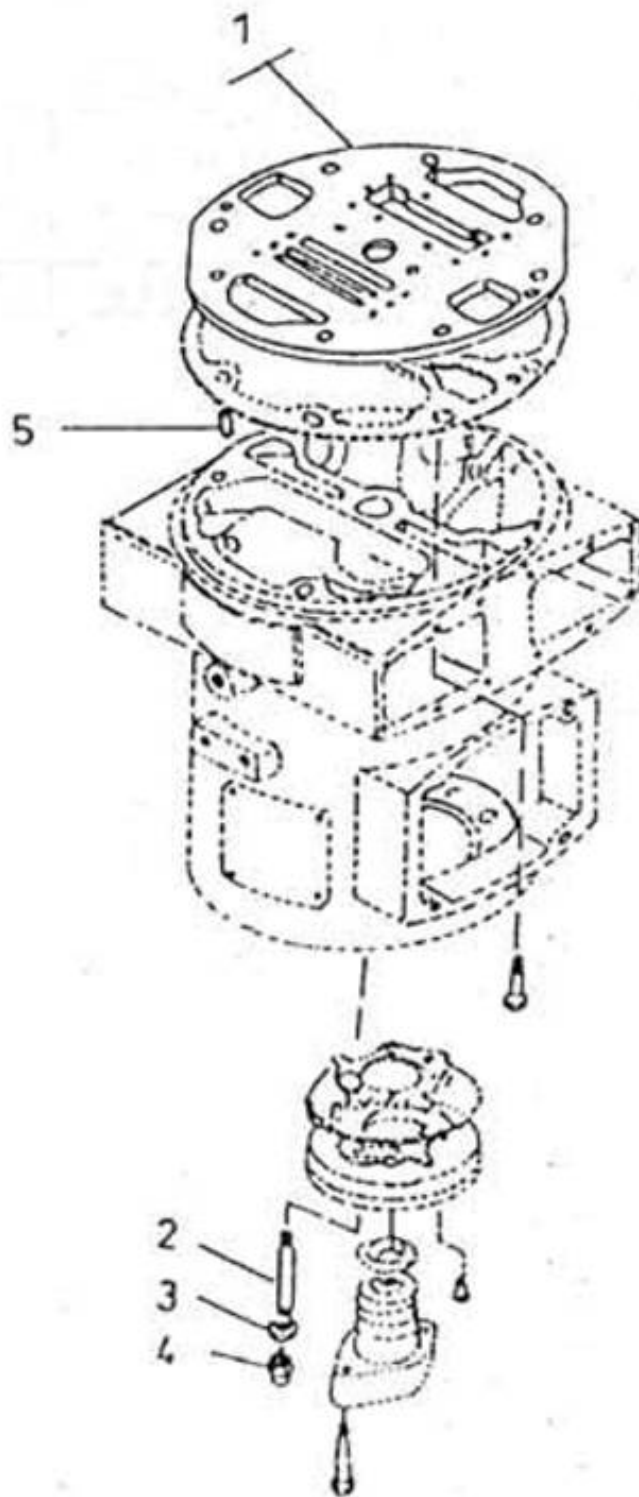


14. Assembly Plate Port Frame End - Model 7 x 5 LUB



All manufacturer's names, numbers, photos, product description and/or part numbers are used for reference purposes only & it is not implied that any part listed is the product of these manufacturers. Since Approvement are made from time to time, the illustration and specifications are subject to change without notice.

14. Assembly Plate Port Frame End - Model 7 x 5 LUB

COMPRESSOR PARTS LIST					
ASSEMBLY NAME : ASSEMBLY PLATE PORT FRAME END					
ASSEMBLY DRAWING : FIG-2C					
COMPRESSOR MODEL		7 X 5 LUB	QTY	ILLUS. NO.	RECOM. SPARES QTY
SUB ASSEMBLY NO.		7032 7721			
SR. NO.	DESCRIPTION	PART NO.			
1	PLATE PORT FRAME END	3711 8189	1	1	
2	STUD 1/2" X 7-3/4"	9521 4094	2	2	
3	GASKET COPPER WASHER 1/2"	3075 6068	2	3	
4	NUT CAP 1/2"	9510 8239	2	4	
5	PIN ROLL 3/8" X 1-3/4"	9509 8703	2	5	

All manufacturer's names, numbers, photos, product description and/or part numbers are used for reference purposes only & it is not implied that any part listed is the product of these manufacturers. Since Approvement are made from time to time, the illustration and specifications are subject to change without notice.